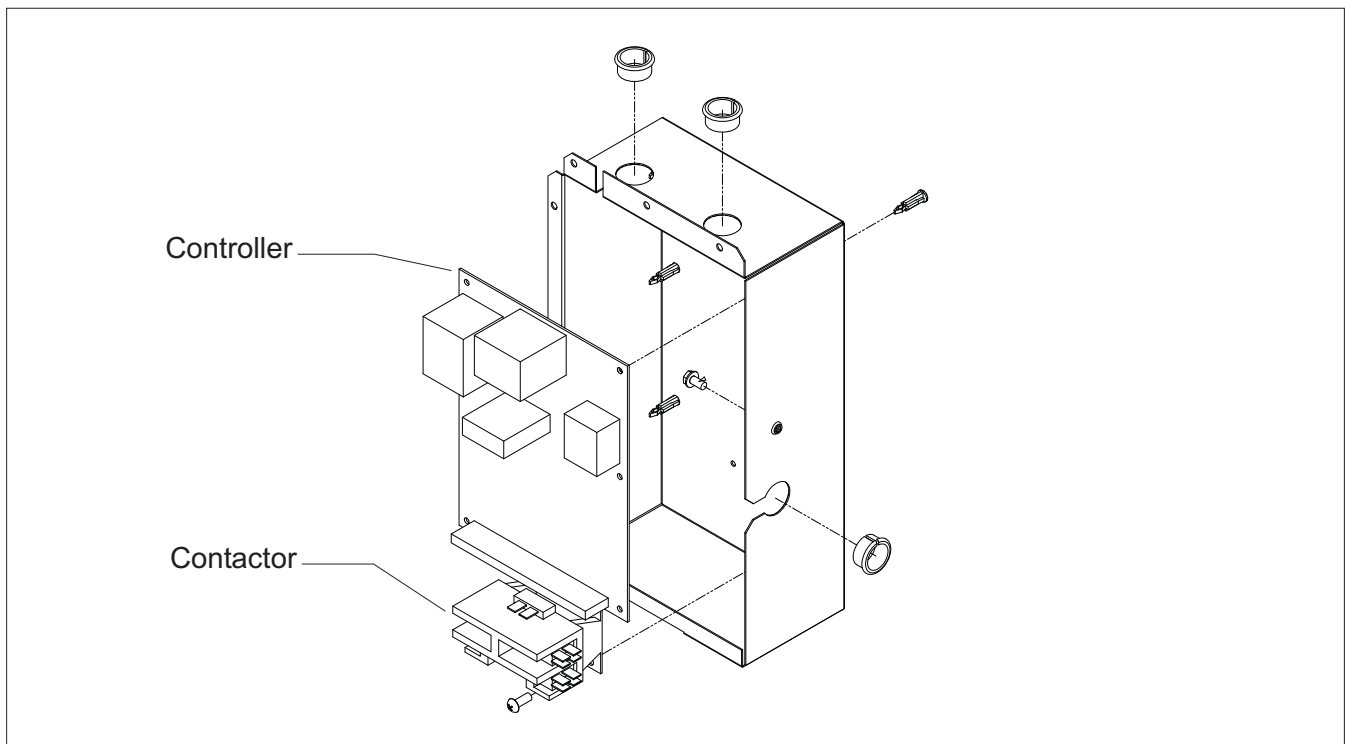


SERVICE BULLETIN

Subject: MDT3 and MDT4 Compressor Contactor

Beginning with MDT4F12A-1H serial number 11011320013662, a contactor has been added to operate the compressor. That unit was manufactured 1-27-11. MDT3F12A-1Hs manufactured after that serial number also have the contactor change. The contactor is located in a new, larger control box with the controller.



The part numbers for the contactor and related harness are:

- 12-2469-03 Contactor, 115/60/1
- 12-2469-02 Contactor, for 50 Hz model
- 12-3042-01 Wire harness for 60 Hz model w/contactor
- 12-3042-02 Wire harness for 50 Hz model w/contactor

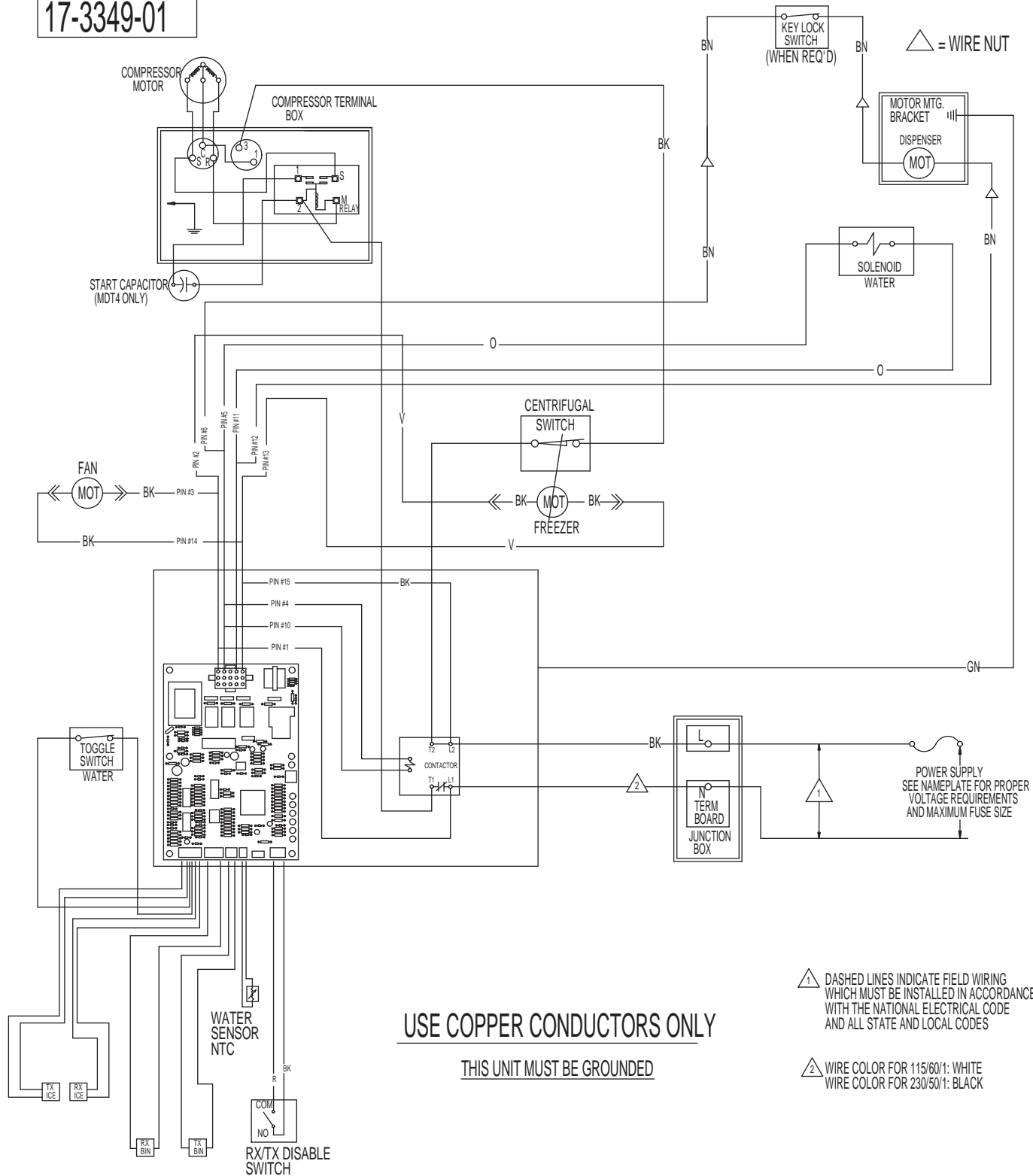
There is a control box kit to add the contactor to a prior model, the kit numbers are:

- A37895-021 60 Hz
- A37895-026 50 Hz

The above kits do NOT include a new controller, when installing a kit the existing controller will be moved from the original box to the new one.

A wiring diagram is on the back of this bulletin.

17-3349-01



USE COPPER CONDUCTORS ONLY

THIS UNIT MUST BE GROUND

⚠ DASHED LINES INDICATE FIELD WIRING WHICH MUST BE INSTALLED IN ACCORDANCE WITH THE NATIONAL ELECTRICAL CODE AND ALL STATE AND LOCAL CODES

⚠ WIRE COLOR FOR 115/60/1: WHITE
WIRE COLOR FOR 230/50/1: BLACK